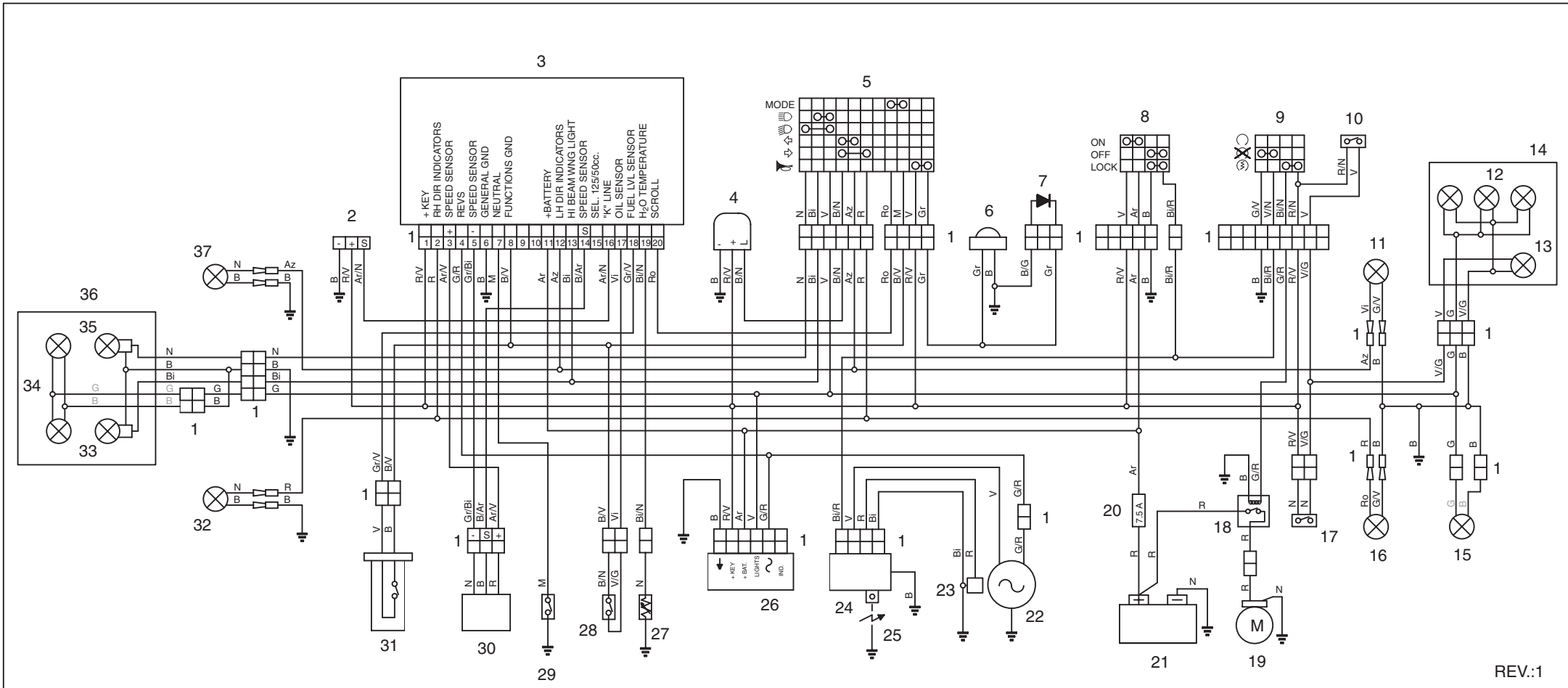


RS 50 MY06



REV.:1

- 1 MULTIPLE CONNECTORS
- 2 SERIAL DIAG. CONNECTION
- 3 ELECTRONIC INSTRUMENT PANEL
- 4 FLASHER
- 5 LH DIP SWITCH
- 6 HORN
- 7 DIODE
- 8 IGNITION SWITCH
- 9 RH DIP SWITCH
- 10 FRONT STOP SWITCH
- 11 LH REAR DIRECTION INDICATOR
- 12 PARKING LIGHT BULBS
- 13 STOP LIGHT BULB
- 14 COMPLETE TAIL LIGHT
- 15 NUM PLATE LIGHT (NOT STANDARD)

- 16 RH REAR DIRECTION INDICATOR
- 17 REAR STOP SWITCH
- 18 STARTER RELAY
- 19 STARTER MOTOR
- 20 FUSE
- 21 BATTERY
- 22 GENERATOR
- 23 PICKUP SENSOR
- 24 TRANSDUCER
- 25 SPARK PLUG
- 26 VOLTAGE REGULATOR
- 27 H₂O TEMP SENSOR
- 28 OIL LVL SENSOR
- 29 NEUTRAL POSITION SENSOR
- 30 SPEED SENSOR

- 31 FUEL LEVEL SENSOR
- 32 RH FRONT DIRECTION INDICATOR
- 33 HIGH BEAM BULB
- 34 PARKING LIGHTS (NOT STANDARD)
- 35 LOW BEAM BULB
- 36 COMPLETE HEADLIGHT
- 37 LH FRONT DIRECTION INDICATOR
- 38 -
- 39 -
- 40 -
- 41 -
- 42 -
- 43 -
- 44 -
- 45 -

CABLE COLOURS

- Ar Orange
- Az Light blue
- B Blue
- Bi White
- G Yellow
- Gr Grey
- M Brown
- N Black
- R Red
- V Green
- Vi Violet
- Ro Pink